

Plastic enclosures KS



System accessories Page 507 **KS for potentially explosive areas** Page 194

Material:

- Enclosure and door: Fibreglass-reinforced unsaturated polyester
- Door: All-round foamed-in PU seal
- Mounting plate: Sheet steel
- Viewing window: Glazed acrylic, 3.0 mm with all-round rubber cable clamp strip

Surface finish:

- Enclosure and door: Dyed plastic with no after-treatment
- Mounting plate: Zinc-plated

Colour:

- Similar to RAL 7035

Supply includes:

- Enclosure with hinged door, of all-round solid construction, 3 mm double-bit lock
- Mounting plate

- Twin seal on the top and bottom edges of the door as integral rain protection strip
- Press-fitted C sections at the sides for infinitely variable mounting plate depth adjustment

Please note the product-specific scope of supply.

Note:

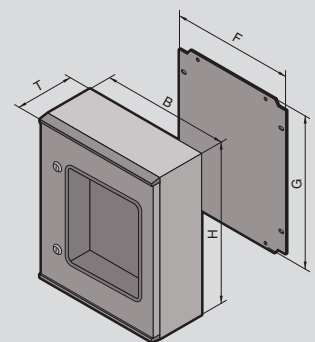
- Under the influence of long-term UV radiation (sunlight) in conjunction with wind and rain, the surface finish may become visually impaired. This does not affect the protection of the installed electrical components in any way. If the enclosures cannot be protected from UV radiation, we recommend that they should be painted with a PUR paint. Ambient temperature -30°C...+75°C.

Approvals:

- TÜV
- Germanischer Lloyd
- Russian Maritime Register of Shipping
- Lloyds Register of Shipping
- Bureau Veritas

Technical details:

Available on the Internet




Width (B) mm	Packs of	200	250	300	400	400	400	400	500	Page
Height (H) mm		300	350	400	400	400	600	600	500	
Depth (T) mm		150	150	200	200	200	200	200	300	
Mounting plate width (F) mm		145	195	245	345	345	345	345	417	
Mounting plate height (G) mm		250	300	350	350	350	550	550	450	
Mounting plate thickness mm		2.0	2.0	2.0	2.5	2.5	2.5	2.5	2.5	
Model No.	1 pc(s).	1423.500	1432.500	1434.500	1444.500	1448.500	1446.500	1449.500	1453.500	
Weight kg		3.4	4.3	5.9	7.9	8.0	11.5	11.2	13.5	
Protection category IP to IEC 60 529		IP 66	IP 66	IP 66	IP 66	IP 56	IP 66	IP 56	IP 66	
Protection category NEMA		NEMA 4X	NEMA 4X	NEMA 4X	NEMA 4X	NEMA 12	NEMA 4X	NEMA 12	NEMA 4X	
Product-specific scope of supply										
Door(s)		1	1	1	1	1	1	1	1	
Door hinged on the right, may be swapped to the left		■	■	■	■	■	■	■	■	
Removable centre bar, lockable door on right		–	–	–	–	–	–	–	–	
Viewing window		–	–	–	–	■	–	■	–	
Cam lock		1	1	2	2	2	2	2	2	
3-point lock system		–	–	–	–	–	–	–	–	
Accessories										
Mounting plate adjustment bracket	4 pc(s).	1481.000	1481.000	1481.000	1481.000	1481.000	1481.000	1481.000	1491.000	594
Threaded inserts M6	20 pc(s).	1482.000	1482.000	1482.000	1482.000	1482.000	1482.000	1482.000	1482.000	625
Pole clamp	1 set(s)	2584.000	2584.000	2584.000	2584.000	2584.000	2584.000	2584.000	2584.000	589
Wall mounting bracket	4 pc(s).	1483.010	1483.010	1483.010	1483.010	1483.010	1483.010	1483.010	1483.010	588
Lock systems		from page	from page	from page	from page	from page	from page	from page	from page	560

Plastic enclosures KS

Width (B) mm	Packs of	500	600	600	600	600	800	800	1000	Page
Height (H) mm		500	600	600	800	800	1000	1000	1000	
Depth (T) mm		300	200	200	300	300	300	300	300	
Mounting plate width (F) mm		417	545	545	517	517	717	717	917	
Mounting plate height (G) mm		450	550	550	750	750	950	950	950	
Mounting plate thickness mm		2.5	2.5	2.5	3.0	3.0	3.0	3.0	3.0	
Model No.	1 pc(s).	1454.500	1466.500	1467.500	1468.500	1469.500	1479.500	1480.500	1400.500	
Weight kg		13.4	15.9	15.6	26.5	26.0	39.9	41.7	51.6	
Protection category IP to IEC 60 529		IP 56	IP 66	IP 56	IP 66	IP 56	IP 56	IP 66	IP 56	
Protection category NEMA		NEMA 12	NEMA 4X	NEMA 12	NEMA 4X	NEMA 12	NEMA 12	NEMA 4X	NEMA 12	
Product-specific scope of supply										
Door(s)		1	1	1	1	1	1	1	2	
Door hinged on the right, may be swapped to the left		■	■	■	■	■	■	■	–	
Removable centre bar, lockable door on right		–	–	–	–	–	–	–	■	
Viewing window		■	–	■	–	■	■	–	–	
Cam lock		2	2	2	–	–	–	–	–	
3-point lock system		–	–	–	■	■	■	■	■	
Accessories										
Mounting plate adjustment bracket	4 pc(s).	1491.000	1481.000	1481.000	1491.000	1491.000	1491.000	1491.000	1491.000	594
Threaded inserts M6	20 pc(s).	1482.000	1482.000	1482.000	1482.000	1482.000	1482.000	1482.000	1482.000	625
Pole clamp	1 set(s)	2584.000	2584.000	2584.000	2584.000	2584.000	2584.000	2584.000	2584.000	589
Wall mounting bracket	4 pc(s).	1483.010	1483.010	1483.010	1483.010	1483.010	1483.010	1483.010	1483.010	588
Lock systems		from page	from page	from page	from page	from page	from page	from page	from page	560

Accessories



Spare filter mats

see page 371